

M1141-P80-1, -2

AO Frequency Shifter



1921

The model M1141 is specifically designed for operation as an 80MHz acousto-optic frequency-shifter at 633nm.

FEATURES

Small Size
Low Drive Power
Good Temperature Stability

DRIVERS

Model 522C-L (Digital)
Model 532C-L (Analog)

SPECIFICATIONS

Standard Operating Wavelength:	633nm (Others available)
Interaction Material:	Lead Molybdate (PbMoO ₄)
Active Aperture:	1mm or 2mm
Centre Frequency (f _c):	80MHz
RF Bandwidth (Δf):	20MHz
Input Impedance:	50Ω (Nominal)
VSWR:	< 1.5 :1 at f _c
Laser Polarization:	Any
Optical Power:	< 2W

PERFORMANCE

Wavelength:	633 nm
RF Drive Power:	< 0.6 W
Bragg Angle (@ 80MHz):	6.98 mrad
Beam Separation (@ 80 MHz):	13.95 mrad
Diffraction Efficiency	≥80% min, >85% typ
Static Insertion loss	<3% max, < 2% typ

ALL SPECIFICATIONS SUBJECT TO CHANGE WITHOUT NOTICE

ISOMET CORP, 10342 Battlevue Parkway, Manassas, VA 20109, USA.

Tel: (703) 321 8301 Fax: (703) 321 8546

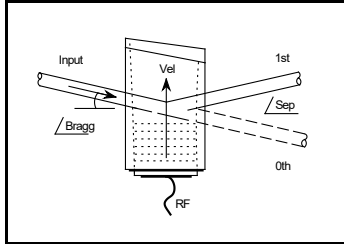
E-mail: ISOMET@ISOMET.COM Web Page: WWW.ISOMET.COM

Quality Assured.

In-house: Crystal Growth,

Optical Polishing,

A/R coating, Vacuum Bonding



M1141-P80-1, -2

AO Frequency Shifter

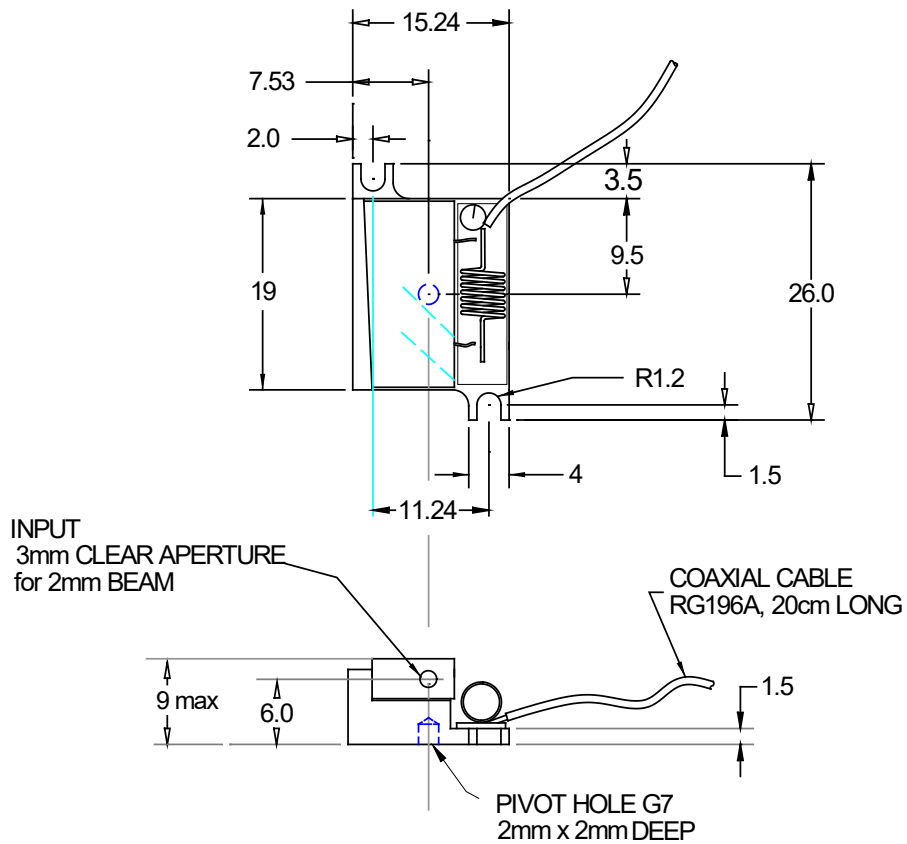


1921

OUTLINE DRAWING

Dimensions: mm

Case material: Aluminium



ALL SPECIFICATIONS SUBJECT TO CHANGE WITHOUT NOTICE
 ISOMET CORP, 10342 Battleview Parkway, Manassas, VA 20109, USA.
 Tel: (703) 321 8301 Fax: (703) 321 8546
 E-mail: ISOMET@ISOMET.COM Web Page: WWW.ISOMET.COM

Quality Assured.
 In-house: Crystal Growth,
 Optical Polishing,
 A/R coating, Vacuum Bonding